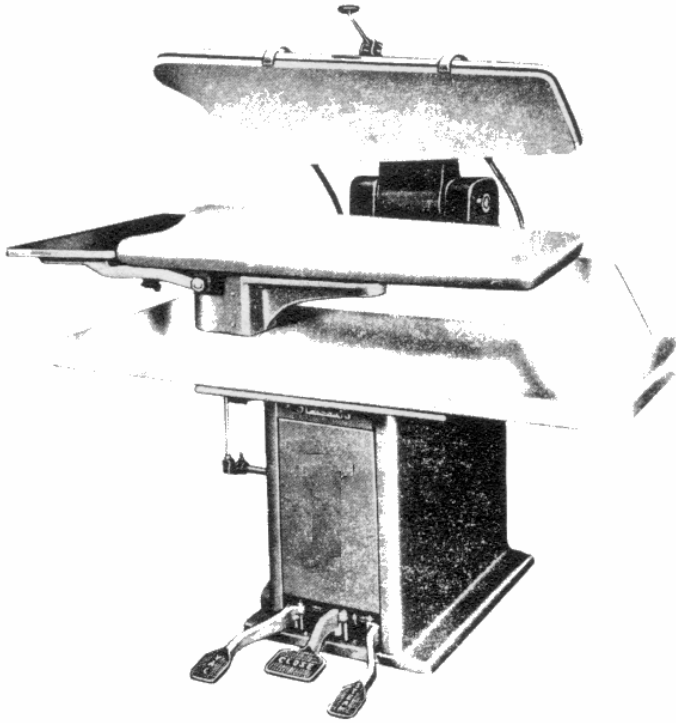
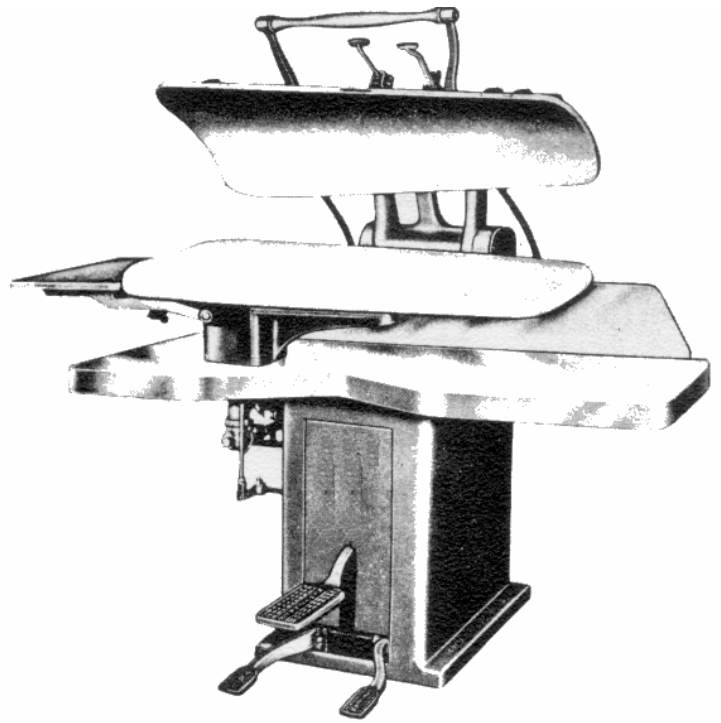


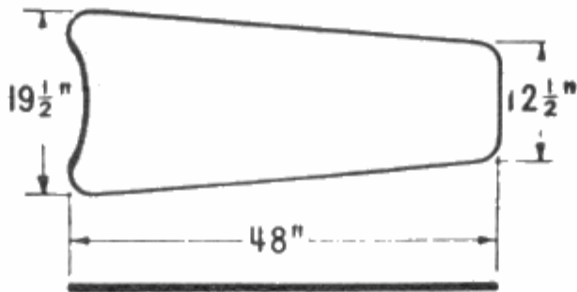
# Refurbished Trousler Legger Presses **L-4**



*Air operated Legger*



*Foot operated Legger*



The L4 flat buck legger is designed for shaping, shrinking and pressing men's trouser legs. The crotch cut out is deep enough to suit the pressing of any size trouser.

---

**Seickel & Sons Inc.** is not affiliated with **Hoffman/New Yorker Inc.** and does not rely on **Hoffman/New Yorker Inc.** for its replacement parts.

## **SEICKEL & SONS INC.**

REBUILDERS AND DISTRIBUTORS OF STEAM PRESSING EQUIPMENT

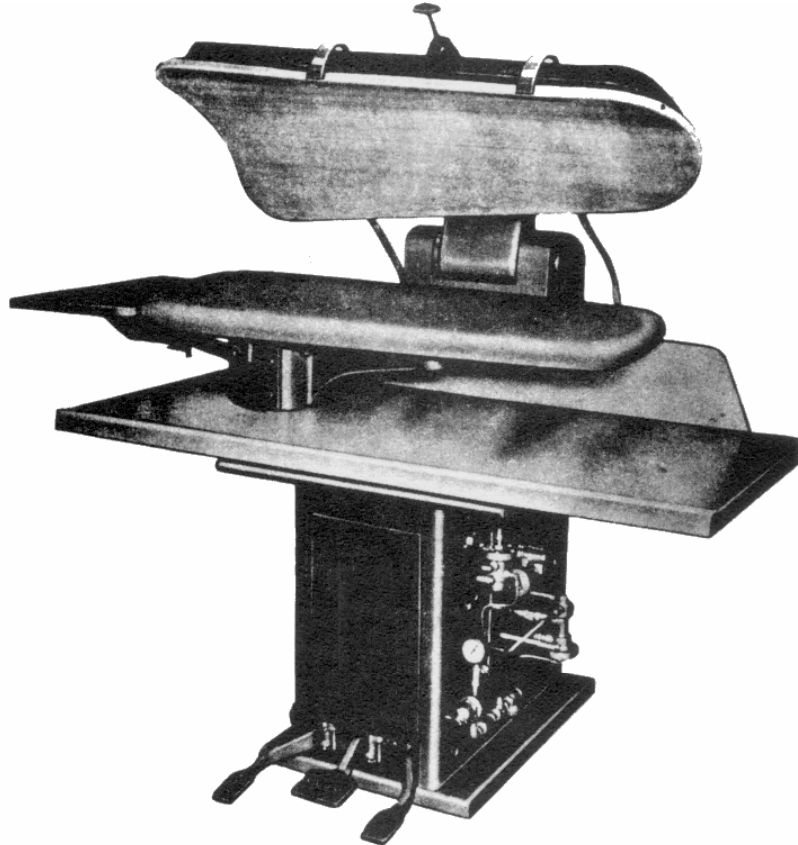
360 ELIZABETH AVE., NEWARK, NJ 07112    TEL. 973-242-1948    FAX 973-733-4956

TOLL FREE IN U.S. 1-800-338-5044

WEB [WWW.SEICKEL.COM](http://WWW.SEICKEL.COM)

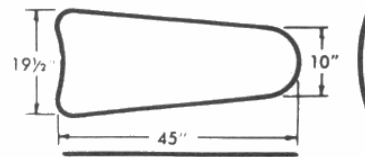
[SALES@SEICKEL.COM](mailto:SALES@SEICKEL.COM)

# Refurbished Short Oval Legger **L-8S** (For boys and ladies' slacks)



1. Eliminates all buttons and operating levers.
2. One small pedal or hand bar starts and completes the entire operating cycle.
3. There is nothing to teach green help except the correct lay of the garment.
4. Eliminates lifting the hands to operate head steam and pressure at least 1500 times per day.
5. Automatic and Manual control of steam and vacuum provides flexibility for finishing of different fabrics.

**L8S** — This short oval legger is designed for ladies' slacks or boys' trousers. The length of the buck is shorter for this application but the width of both Right and Left ends is sufficient for any size garment. The shallower crotch cutout is more suitable for this application than the L4.



Floor Space: 56 x 39  
Approximate Shipping Wgt: 1000 lbs.

---

**Seickel & Sons Inc.** is not affiliated with **Hoffman/New Yorker Inc.** and does not rely on **Hoffman/New Yorker Inc.** for its replacement parts.

## **SEICKEL & SONS INC.**

REBUILDERS AND DISTRIBUTORS OF STEAM PRESSING EQUIPMENT

360 ELIZABETH AVE., NEWARK, NJ 07112    TEL. 973-242-1948    FAX 973-733-4956

TOLL FREE IN U.S. 1-800-338-5044

WEB [WWW.SEICKEL.COM](http://WWW.SEICKEL.COM)

[SALES@SEICKEL.COM](mailto:SALES@SEICKEL.COM)

# Seickel Fully Automatic Refurbished “High Temp” Legger Presses For “Wrinkle-Free” Pants Pressing Plants



- ◆ “High Temperature” specially designed Head capable of 325-degree temperature at 100-PSI Boiler pressure
- ◆ Bottom Buck with Aluminum pressing surface and 2” Vacuum outlet
- ◆ Assembled on special high pressure rebuilt Seald NY press frames (also available on standard Air Press frames with 8” cylinders)
- ◆ 3 electrically timed cycles for Steam, Vacuum and Dwell time standard (optional 4<sup>th</sup> timer is also available)
- ◆ Double button Air Valve closing and single button Air Locking system

*Complete with New Table Top, New Grid Plate, and New Pad Set.*

---

**Seickel & Sons Inc.** is not affiliated with **Hoffman/New Yorker Inc.** and does not rely on **Hoffman/New Yorker Inc.** for its replacement parts.

## **SEICKEL & SONS INC.**

*REBUILDERS AND DISTRIBUTORS OF STEAM PRESSING EQUIPMENT*

360 ELIZABETH AVE., NEWARK, NJ 07112    TEL 973-242-1948    FAX 973-733-4956

TOLL FREE IN U.S. 1-800-338-5044

WEB [WWW.SEICKEL.COM](http://WWW.SEICKEL.COM)

[SALES@SEICKEL.COM](mailto:SALES@SEICKEL.COM)