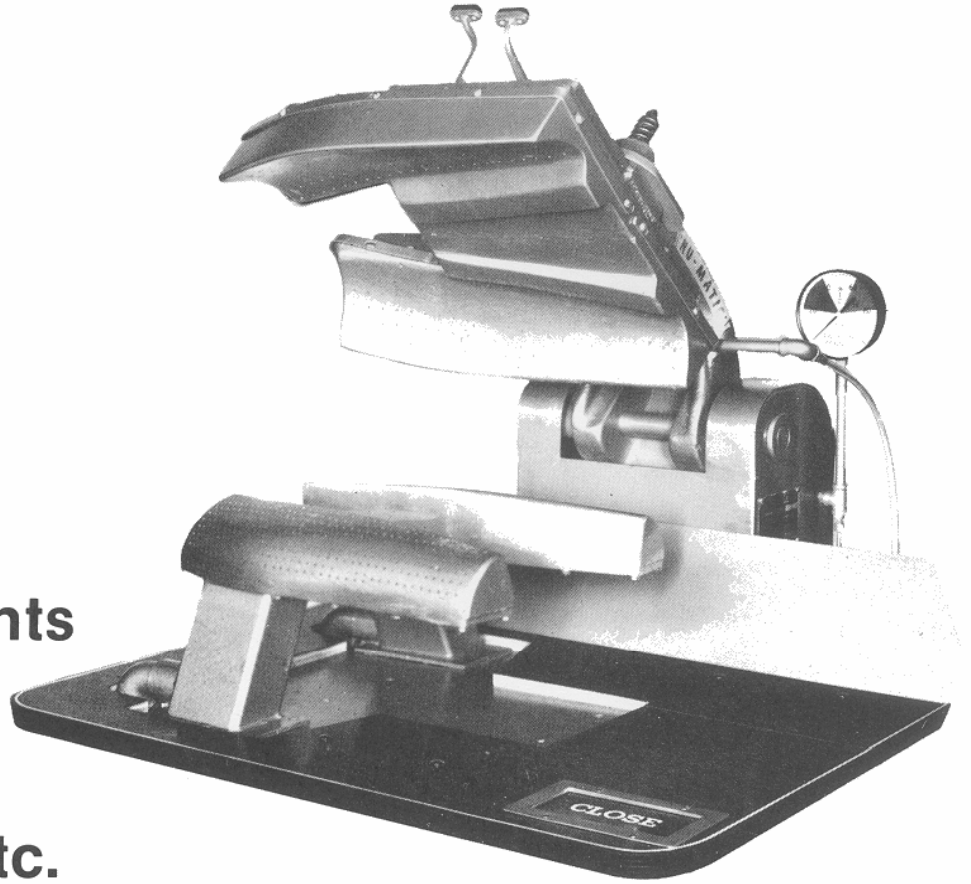
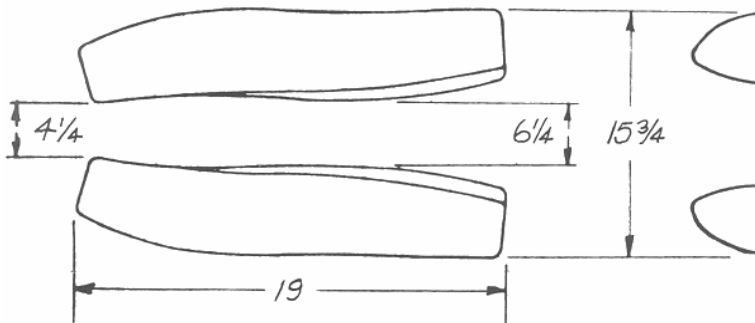


# Refurbished **CB-20** Double Lapel Press



For all garments  
with lapels:  
**Sackcoats,  
overcoats, etc.**



## Features:

- ACCOMMODATES BOTH WIDE AND NARROW LAPELS.
- PERMITS ROLLING AND SHAPING OF BOTH LAPELS IN ONE LAY.
- INCREASES PRODUCTION, QUALITY AND UNIFORMITY.
- 2" VACUUM VALVE GIVES MAXIMUM VACUUM.

*All refurbished steam presses warranted for one year by **Seickel & Sons Inc.***

---

**Seickel & Sons Inc.** is not affiliated with **Hoffman/New Yorker Inc.** and does not rely on **Hoffman/New Yorker Inc.** for its replacement parts.

## **SEICKEL & SONS INC.**

REBUILDERS AND DISTRIBUTORS OF STEAM PRESSING EQUIPMENT

360 ELIZABETH AVE., NEWARK, NJ 07112    TEL. 973-242-1948    FAX 973-733-4956

TOLL FREE IN U.S. 1-800-338-5044

WEB [WWW.SEICKEL.COM](http://WWW.SEICKEL.COM)

[SALES@SEICKEL.COM](mailto:SALES@SEICKEL.COM)