



The Cissell Model A Pants Topper.

If the shape of your pants leaves something to be desired, maybe it's time you switched to Cissell. Our Model A Pants Topper is a real pro at restoring pants to their original shape. It eliminates guesswork and affords a uniform, quality finish on all kinds of pants. And our new pleat clamps assure you perfect pleats, every time. No need to worry about where you're going to put our Pants Topper – its compact design fits anywhere.

Bring your pants to Cissell. They'll shape up in no time.

Everything You Wanted To Know About Our Pants Topper.

CONTOURED BUCK Shaped to fit the tailored cut of pants.

AUTOMATIC PRE-STEAM Uniform pre-conditioning of fabric for fast smoothing and layering of pants pleats.

CONTOURED PLEAT SETTERS Simple vertical and horizontal movement. Counter balanced and spring loaded for fast movement and positive pressure. No locks or latches. Self-Aligning to assure perfectly pressed pleats. Remains out of the way while pants are being mounted.

RESET BUTTON Saves Time. Permits immediate canceling of automatic cycle to re-lay shifted pleat or to straighten twisted pants top.

HEAT RESISTANT BUCK PADDING Foam rubber capable of withstanding high temperatures is perforated for rapid transfer of steam and air. Buck

padding cover with "density controlled" nylon bag helps shape trouser seat.

Cissell nylon bag automatically conforms to exact size of pants.

ELECTRICAL CONTROLS Mounted in external compartment for simplified maintenance.

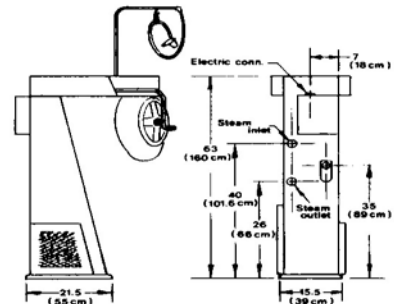
CONTROLLED AIR PRESSURE FULLY AUTOMATED ADJUSTABLE CYCLE Steams. Air dries. Stops automatically. Allows operator time to perform other operations. Fast, automatic finishing replaces work of highly skilled operator.

MANUAL AIR CONTROL Dries wet-cleaned pants or excessively wetted areas.

WATER SPRAY GUN AND CONDENSER ASSEMBLY Furnished as standard equipment.

Specs* Electric motor: 1/8 H.P., 1725 RPM, 115 or 230 volt, 60 cycle, AC, Single Phase OR 115 or 220 volt, 50 cycle, AC, Single Phase
Operating Steam Pressure: 100 P.S.I.G. max.
Boiler H.P. Approx.: 1/4
Steam Supply Line: 1/2" pipe (1.3 cm)
Steam Return Line: 1/2" pipe (1.3 cm)
Height: 85" (216 cm)

Width: 20.5" (52.1 cm)
Base Width: 21 1/2" (55 cm)
Depth: 46" (117 cm)
Net Weight: 230 lbs. (104.5 kg)
Approx. Shipping Weights: Domestic 300 lbs. (136 kg) Export 350 lbs. (159 kg)
Export Shipping Dimensions: 44" x 25" x 68" (approximate) (112 x 63.5 x 173 cm)
Export Crating: 43 cu. ft. (1.16m³) (approximate)
*UL and CSA listings pending.



Seickel & Sons Inc. is not affiliated with Hoffman/New Yorker Inc. and does not rely on Hoffman/New Yorker Inc. for its replacement parts.

SEICKEL & SONS INC.

REBUILDERS AND DISTRIBUTORS OF STEAM PRESSING EQUIPMENT

360 ELIZABETH AVE., NEWARK, NJ 07112 TEL 973-242-1948 FAX 973-733-4956

TOLL FREE IN U.S. 1-800-338-5044

WEB WWW.SEICKEL.COM

SALES@SEICKEL.COM