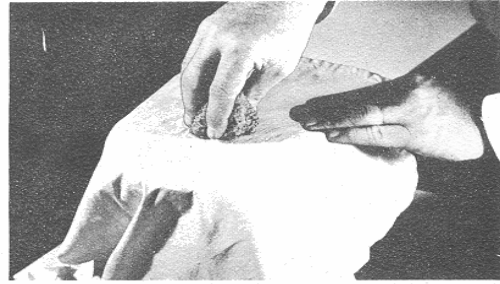
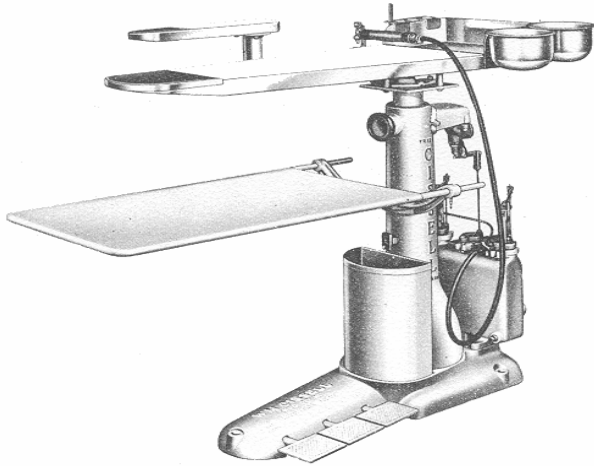


Spotting Board



Heavily sized material such as faille, taffeta, rayon, etc., can now be successfully spotted without re-cleaning.

Printed garments with a fugitive dye can be successfully spotted as the powerful vacuum on the Cissell Vacuum Spotting Board will carry through the dissolved dye as the stain is being removed.

How to remove water soluble spots from problem materials.

REMOVING PAINT, GREASE, LIPSTICK AND BALLPOINT INK. Now, oily paint and grease removers are used successfully, "on the wet side."
 1. Place on hard surface next to screened area.
 2. Apply wet or dry remover and work stain carefully with stainless-steel spatula. Then, tamp lightly with hard-bristle spotting brush.
 3. When stain is in suspension in material, move garment over vacuum area. Press down Vacuum Pedal. Squeeze a sponge full of cold water through stained area. Spot and spotting solution will be removed safely and quickly. Here, again, is your advantage in having concentrated vacuum.

SPECIFICATIONS

Net Weight	235 lbs. (107 kg)
Domestic Shipping Weight - 1 carton	280 lbs. (127 kg)
Export Shipping Weight - 1 box	435 lbs. (197 kg)
Export Shipping Dimensions:	
	Height, 47" (120 cm);
	Length, 53" (135 cm); Width, 20" (50 cm)
Cubic Feet Export Crating	29 (.821 m ³)
Floor Space	20" (50 cm) x 48" (122 cm)
Table Height, adjustable	37" (94 cm) to 44" (111 cm)
Length of Working Surface	38" (97 cm)
Width at Front End of Large Board	6½" (17 cm)
Width at Rear End of Large Board	12½" (32 cm)
Width at Front End of Swinging	
Sleeve Board	2½" (6.4 cm)
Width at Rear End of Swinging	
Sleeve Board	4" (10 cm)

REMOVING INKS, DYE STAINS. 1. Spray an abundance of wet steam through spot to remove excess ink or dye. 2. Place on hard surface next to screened area. 3. Apply a bleach, of your choice, to stained area. 4. Lightly press steam pedal and apply a feather of dry steam to the bleach to increase the bleaching action. Press down vacuum pedal and with a sponge full of cold water squeezed through stained area, chemical action is stopped and harmful bleaches are flushed out.

REMOVING METAL HANGER MARKS, SMALL GREASE SPOTS, CATCH DIRT, ETC. 1. Place area over vacuum ring. 2. Should you use a dry solvent such as chloroform substitutes, carbon-tetrachlorides, etc., pour solution on a cheesecloth pad and brush lightly across spot using vacuum at the same time. Spotting solution will evaporate quickly and eliminate the chance of a dry ring. Here's a timesaver as it prevents re-running.

Boiler Horsepower	Approx. 1¼
Operating Steam	
Pressure	100 P.S.I.G. Max. (6.9 bars)
Steam Supply	½" pipe connection (1.27 cm)
Steam Return	½" pipe connection (1.27 cm)
Vacuum Outlet	1¼" pipe (3.18 cm)

Available for either central air or steam vacuum. Specify when ordering.

Seickel & Sons Inc. is not affiliated with Hoffman/New Yorker Inc. and does not rely on Hoffman/New Yorker Inc. for its replacement parts.

SEICKEL & SONS INC.

REBUILDERS AND DISTRIBUTORS OF STEAM PRESSING EQUIPMENT

360 ELIZABETH AVE., NEWARK, NJ 07112 TEL 973-242-1948 FAX 973-733-4956

TOLL FREE IN U.S. 1-800-338-5044

WEB WWW.SEICKEL.COM

SALES@SEICKEL.COM