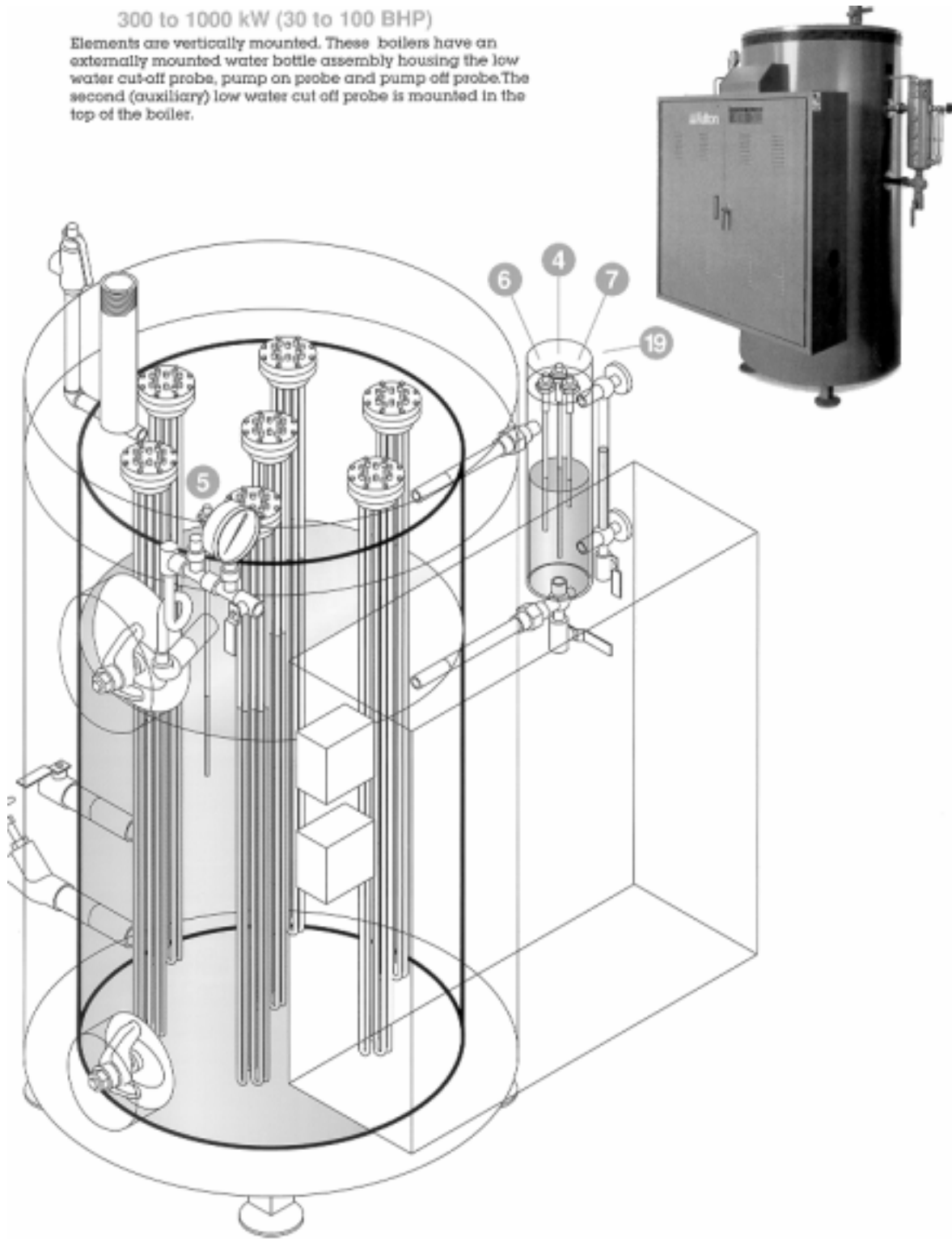


300 to 1000 kW (30 to 100 BHP)

Elements are vertically mounted. These boilers have an externally mounted water bottle assembly housing the low water cut-off probe, pump on probe and pump off probe. The second (auxiliary) low water cut off probe is mounted in the top of the boiler.



SEICKEL & SONS INC.

MANUFACTURERS & REBUILDERS OF STEAM PRESSING EQUIPMENT

360 ELIZABETH AVE., NEWARK, NJ 07112 TEL. 973-242-1948 FAX 973-733-4956
315 WEST 36TH ST., SUITE 504, NY, NY 10018 TEL. 212-290-2120 FAX 212-290-2140

TOLL FREE IN U.S. 1-800-338-5044

WEB WWW.SEICKEL.COM

SALES@SEICKEL.COM