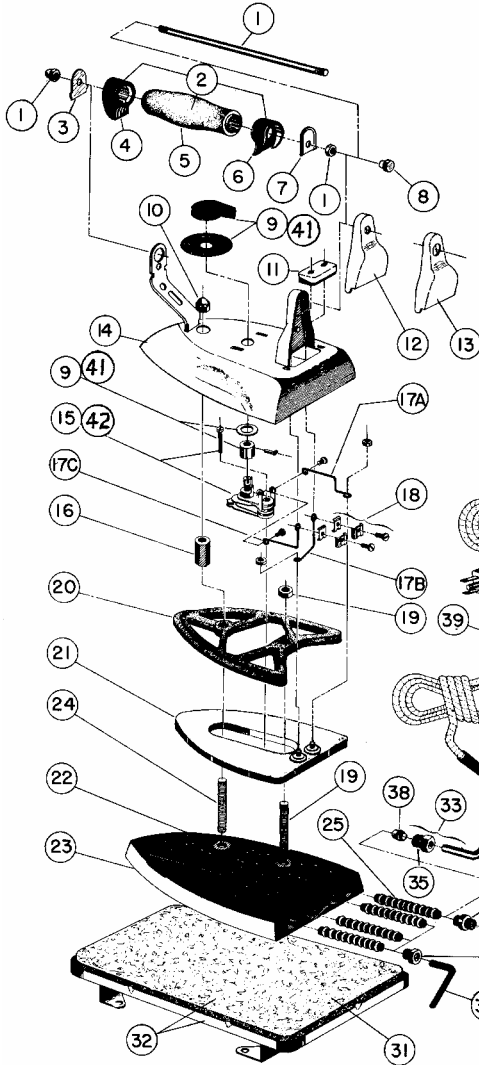
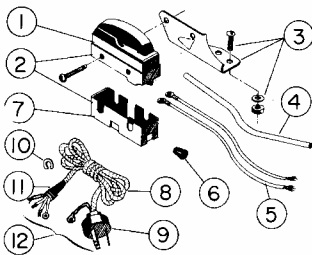


Cissell Steam-Electric & Electric Iron

(3,6,8,10lb. Solid Sole Plate) Model "XB"



| Ref. No. | Part No. | Description |
|----------|----------|---|
| 1. | S 9 |Handle Bolt and Nuts |
| 2. | X 16 |Handle (Cork Grip w/Ends) |
| 3. | X 58 |Front Handle Plate |
| 4. | X 54 |Front Handle End |
| 5. | X 56 |Cork Grip w/Core |
| 6. | X 55 |Rear Handle End |
| 7. | X 59 |Rear Handle Plate |
| 8. | S 17 |Rear Handle Nut |
| 9. | X 49 |A.C. Knob and Dial Ass'y |
| 10. | X 50 |Crown Nut |
| 11. | X 95 |Terminal Insulator Block |
| 12. | X 118 |Rear Guard (standard) w/o Water Spray Gun |
| 13. | X 119 |Rear Guard w/Water Spray Gun |
| 14. | X 117 |Cover w/Handle Supports |
| 15. | X 2 |A.C. Thermostat w/Mtg. Scw. |
| 16. | X 109 |Cover Spacer |
| 17A. | X 97 |Element to Thermostat (terminal connector) |
| 17B. | X 98 |Element to Terminal (terminal connector) |
| 17C. | X 99 |Thermostat to Terminal (terminal connector) |
| | X 116 |Set of 3 Terminal Connector X 97 X 98 and X 99 |
| 18. | X 121 |Set of 2 Terminal Clips, Guides and Screws |
| 19. | X 25 |Back Short Stud and Hex Nut |
| 20. | X 100 |A.C. Pressure Plate |
| 21. | X 14120 |800 Watt Element 120 Volts A.C. |
| | X 14240 |" " " 240 " " |
| | XA14120 |1000 Watt Element 120 Volts A.C. |
| | XA14240 |" " " 240 " " |
| 22. | X 150 |Element Spacer |
| 23. | X 3 |3 Lb. Sole Plate (Steam-Electric) |
| | X 6 |6 Lb. Sole Plate (Steam-Electric) |
| | X 8 |8 Lb. Sole Plate (Steam-Electric) |
| | X 10 |10 Lb. Sole Plate (Steam-Electric) |
| | XE3 |3 Lb. Sole Plate (Electric) |
| | XE6 |6 Lb. Sole Plate (Electric) |
| | XE8 |8 Lb. Sole Plate (Electric) |
| | XE10 |10 Lb. Sole Plate (Electric) |
| 24. | X 72 |Front Long Stud |
| 25. | X 110 |Asbestos Wicks (pkg. of 3) |
| 26. | X 74 |Renewable Inlet Plug |
| 27. | X 77 |3/16" Hexagon Wrench |
| 28. | X 151 |3/32" Hexagon Wrench |
| 29. | X 66 |Renewable Plug |
| 30. | X 67 |1/4" Hexagon Wrench |
| 31. | S 35 |Asbestos For Iron Rest |
| 32. | S 34 |Patented Iron Rest (Complete) |
| 33. | X 76 |Steam Tube Ass'y |
| 34. | X 75 |Steam Tube Only w/Straight Thread |
| 35. | X 51 |1/4" Nut |
| 36. | SV 100 |7/4" Four Wire Electric Cord w/Rubber Sleeves |
| 37. | X 130 |(.350 I.D.) Rubber Sleeve |
| | PU8 |1/4" Bead |
| 39. | X 132 |Strain Relief Clamps |
| 40. | SV 111 |7/4" 3 Wire Electric Cord w/2 Pole 3 Wire Grounded Plug (Model XAE-1 or XBE-1) |
| 41. | X 203 |Poly Knob and Dial Ass'y |
| 42. | X 201 |Poly Thermostat w/Mtg. Scw. |



THUMB SWITCH PARTS & GROUNDED REPLACEMENT CORD

| Ref. No. | Part No. | Description | Ref. No. | Part No. | Description |
|----------|----------|--------------------------------------|----------|----------|--|
| 1. | SV 281 |Electric Thumb Switch | 7. | SV 63 |Switch Cover and Screws |
| 2. | SV 28 |Electric Thumb Switch and Cover | 8. | SV 169 |7/4" Four Wire Cord w/One Rubber Sleeve (Less Plug) |
| 3. | SV 33 |Mounting Plate, Bolts and Nuts | 9. | SV 38 |Three Prong Plug w/Armor Grip |
| 4. | SV 34 |Tube | 10. | X 132 |Strain Relief Clamp |
| 5. | SV 37 |Two Wires, Glass Insulated | 11. | X 130 |Rubber Sleeve (.350 I.D.) |
| 6. | SV 36 |No. 3 Wire Connector | 12. | SVA 82 |7/4" Four Wire Electric Cord (Complete) |

SEICKEL & SONS INC.

MANUFACTURERS & REBUILDERS OF STEAM PRESSING EQUIPMENT

360 ELIZABETH AVE., NEWARK, NJ 07112 TEL.973-242-1948 FAX 973-733-4956
 315 WEST 36TH ST., SUITE 504, NY, NY 10018 TEL.212-290-2120 FAX 212-290-2140

TOLL FREE IN U.S. 1-800-338-5044

WEB WWW.SEICKEL.COM

SALES@SEICKEL.COM