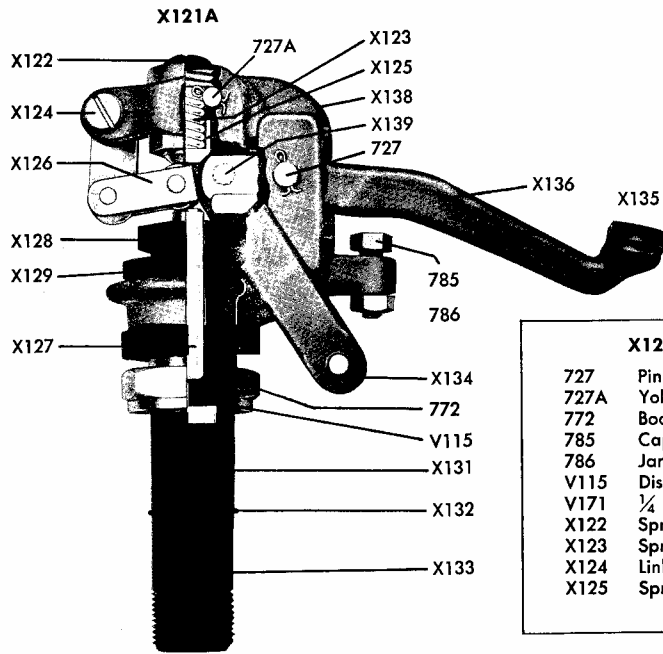
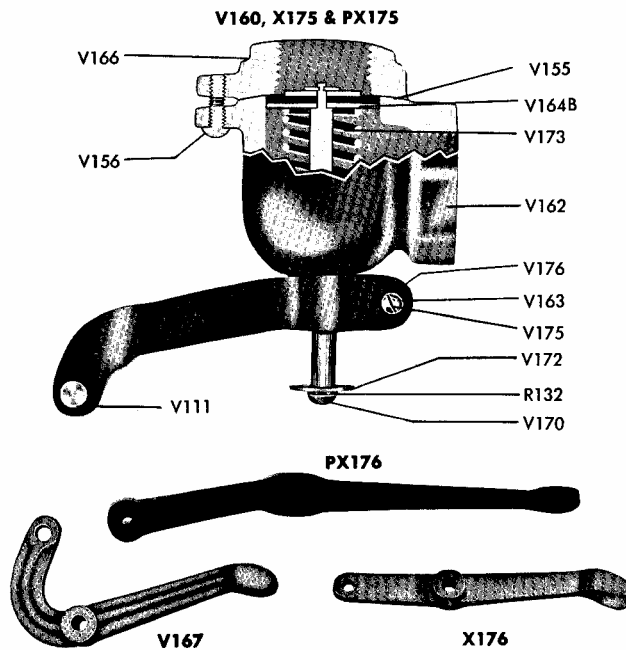


# Quality United Brass Replacement Parts



X121A Head Valve		For:	Hoffman X
727	Pin	X126	Rocker Arm
727A	Yoke Pin	X127	Stem
772	Body Lock Nut	X128	Stem Guide
785	Cap Screw $\frac{3}{16}$	X129	Guide Lock Nut
786	Jam Nut $\frac{5}{16}$	X131	Body
V115	Disc Holder	X132	Metal Gasket
V171	$\frac{1}{4}$ Hex Nut	X133	Bushing
X122	Spring Plug	X134	Yoke
X123	Spring	X135	Long Handle
X124	Link Stud	X136	Handle
X125	Spring Cup	X138	Handle Bearing
		X139	Rocker Arm Pin



V160, X175 & PX175 Air Vacuum Valves	
R132	Lock Washer $\frac{1}{4}$
V111	Fulcrum Pin
V155	Gasket
V156	$\frac{1}{4}$ x $\frac{3}{4}$ Screw
V162	Body and Bushing
V163	Fulcrum
V164B	Stem and Disc Assembly
V166	Valve Seat Coupling
V170	$\frac{1}{4}$ x $\frac{1}{2}$ Screw
V172	Washer
V173	Spring
V175	10-24 x $\frac{3}{4}$ Screw
V176	10-24 Sq. Steel Nut
<b>X176</b>	<b>Straight Lever for X175</b>
<b>PX176</b>	<b>Long Lever for PX175</b>
<b>V167</b>	<b>Curved Lever for V160</b>

Parts for valves V160, X175, and PX175 are identical with the exception of handles.

*All replacement steam press parts warranted for one year by Seickel & Sons Inc.*

Seickel & Sons Inc. is not affiliated with Hoffman/New Yorker Inc. and does not rely on Hoffman/New Yorker Inc. for its replacement parts.

## SEICKEL & SONS INC.

MANUFACTURERS & REBUILDERS OF STEAM PRESSING EQUIPMENT

360 ELIZABETH AVE., NEWARK, NJ 07112 TEL.973-242-1948 FAX 973-733-4956  
 315 WEST 36<sup>TH</sup> ST., SUITE 504, NY, NY 10018 TEL.212-290-2120 FAX 212-290-2140  
 TOLL FREE IN U.S. 1-800-338-5044

WEB [WWW.SEICKEL.COM](http://WWW.SEICKEL.COM) SALES@[SEICKEL.COM](mailto:SEICKEL.COM)