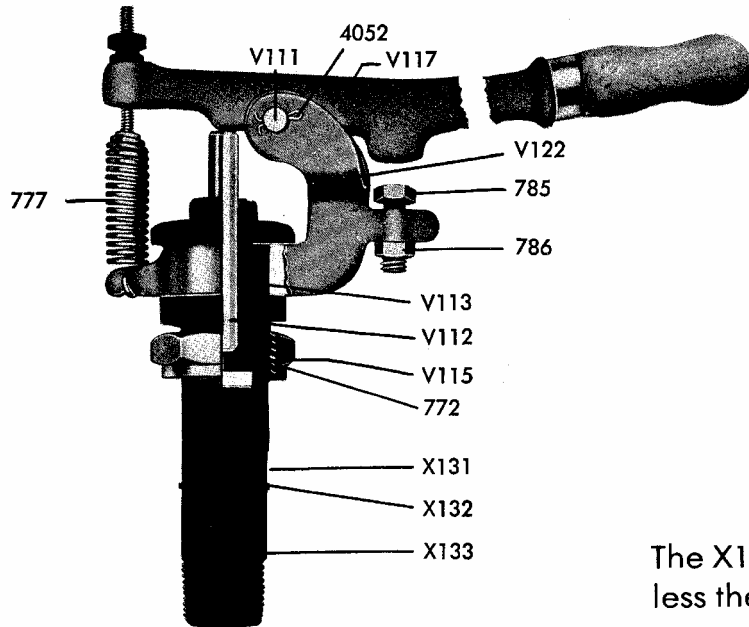


Quality United Brass Replacement Parts

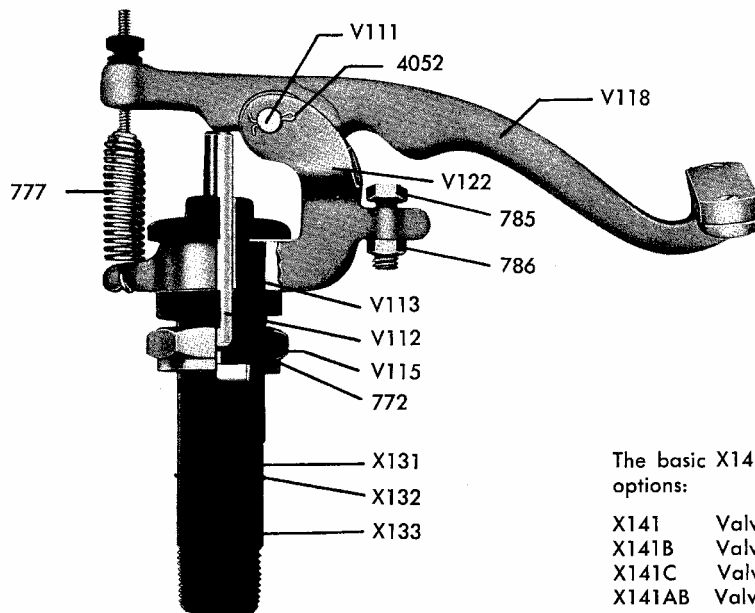
X140A



X140A	Head Valve
772	Lock Nut
777	Spring
785	Cap Screw $\frac{5}{16}$
V111	Fulcrum Pin
V112	Stem
V113	Stem Guide
V115	Disc Holder
V117	Handle
786	Jam Nut $\frac{5}{16}$
V122	Bracket
X131	Body
X132	Metal Gasket
X133	Bushing
4052	Cotter Pin

The X140A Head Valve is also available less the X133 bushing as X140.

X141A



X141A	Head Valve
772	Lock Nut
777	Spring
785	Cap Screw $\frac{5}{16}$
786	Jam Nut $\frac{5}{16}$
V111	Fulcrum Pin
V112	Stem
V113	Stem Guide
V115	Disc Holder
V118	Handle
V122	Bracket
X131	Body
X132	Metal Gasket
X133	Bushing
4052	Cotter Pin

The basic X141A Head Valve is available with the following options:

- X141 Valve less X133 bushing
- X141B Valve less X133 bushing with V123 medium handle
- X141C Valve less X133 bushing with V119 long handle
- X141AB Valve with X133 bushing with V123 medium handle

*All replacement steam press parts warranted for one year by **Seickel & Sons Inc.***

Seickel & Sons Inc. is not affiliated with **Hoffman/New Yorker Inc.** and does not rely on **Hoffman/New Yorker Inc.** for its replacement parts.

SEICKEL & SONS INC.

MANUFACTURERS & REBUILDERS OF STEAM PRESSING EQUIPMENT

360 ELIZABETH AVE., NEWARK, NJ 07112 TEL. 973-242-1948 FAX 973-733-4956
 315 WEST 36TH ST., SUITE 504, NY, NY 10018 TEL. 212-290-2120 FAX 212-290-2140
 TOLL FREE IN U.S. 1-800-338-5044

WEB WWW.SEICKEL.COM

SALES@SEICKEL.COM