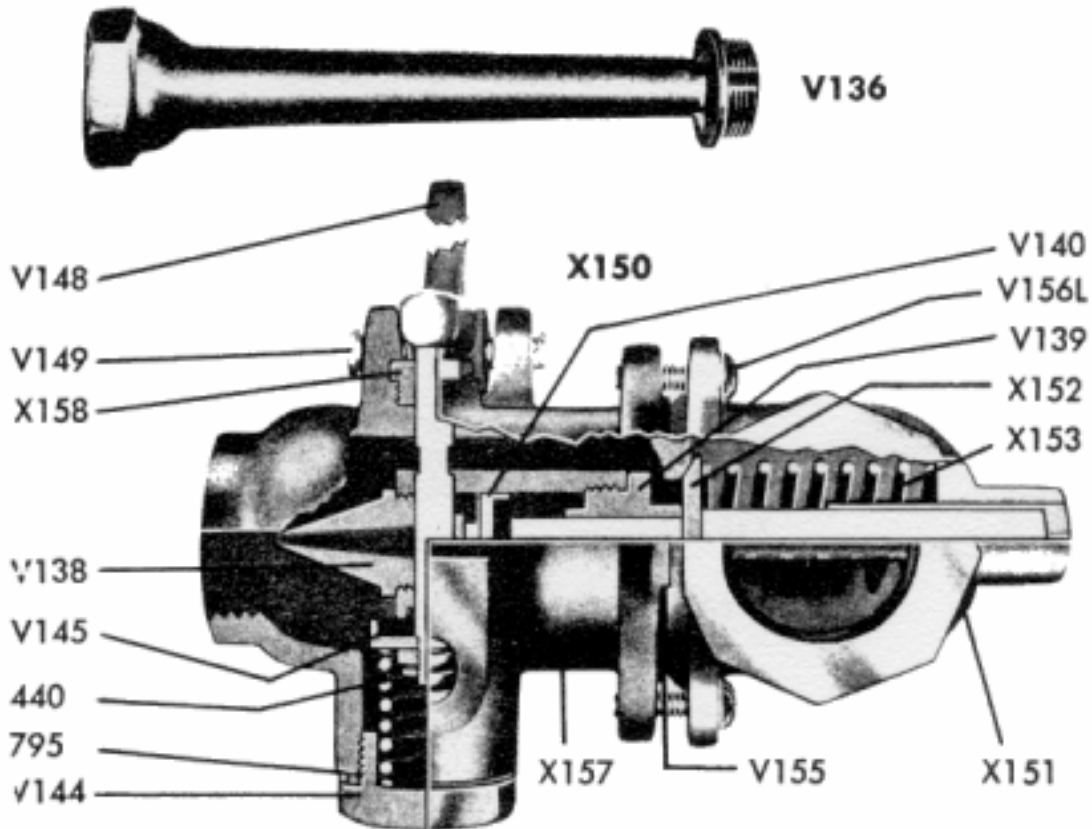


Quality United Brass Replacement Parts

104 (X150) Steam Vacuum Valve

V136 Venturi Nipple
X150 Steam Vacuum Valve
440 Spring.
795 Gasket.
V138 Venturi Nozzle.
V139 Piston Stem Guide.
V140 Piston Assembly.
V144 Cap Spring Nut.
V145 Stem & Disc Holder

V148 Bell Crank Lever.
V149 Lever Pin.
V155 Gasket.
V156L $\frac{1}{4}$ " x $\frac{7}{8}$ " Screw.
X151 Body and Bushing
X152 Vent Valve Disc Assembly
X153 Disc Spring.
X157 Vent Venturi Body.
X158 Bushing.



All replacement steam press parts warranted for one year by Seickel & Sons Inc.

Seickel & Sons Inc. is not affiliated with Hoffman/New Yorker Inc. and does not rely on Hoffman/New Yorker Inc. for its replacement parts.

SEICKEL & SONS INC.

MANUFACTURERS & REBUILDERS OF STEAM PRESSING EQUIPMENT

360 ELIZABETH AVE., NEWARK, NJ 07112 TEL. 973-242-1948 FAX 973-733-4956
315 WEST 36TH ST., SUITE 504, NY, NY 10018 TEL. 212-290-2120 FAX 212-290-2140
TOLL FREE IN U.S. 1-800-338-5044

WEB WWW.SEICKEL.COM

SALES@SEICKEL.COM