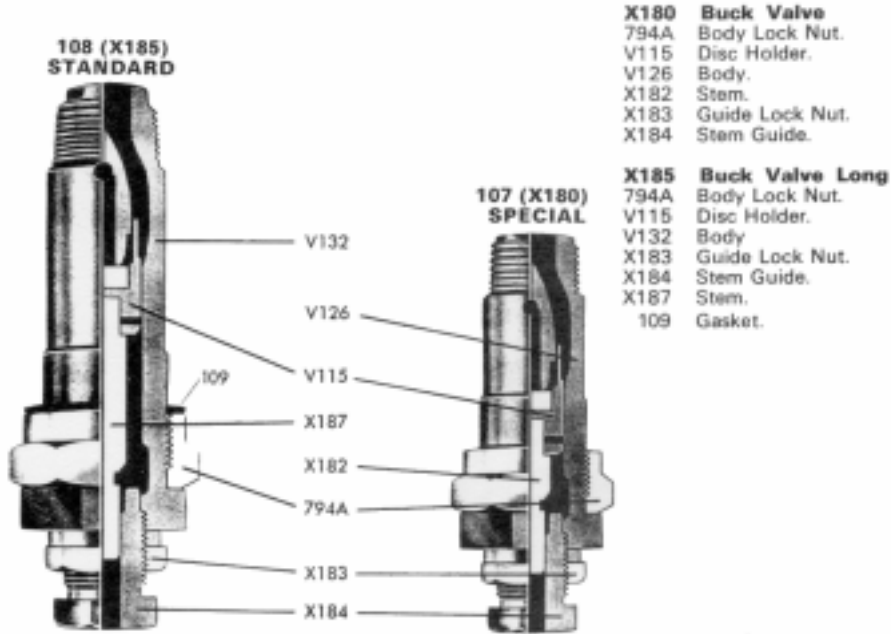


# Quality United Brass Replacement Parts

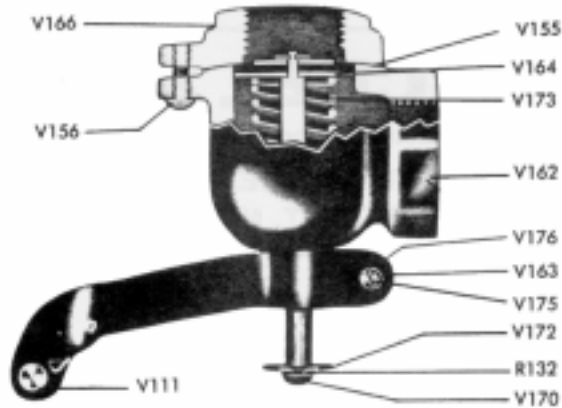
## Buck Valves



- |                             |                     |
|-----------------------------|---------------------|
| <b>X180 Buck Valve</b>      | 794A Body Lock Nut. |
| V115                        | Disc Holder.        |
| V126                        | Body.               |
| X182                        | Stem.               |
| X183                        | Guide Lock Nut.     |
| X184                        | Stem Guide.         |
| <b>X185 Buck Valve Long</b> | 794A Body Lock Nut. |
| V115                        | Disc Holder.        |
| V132                        | Body.               |
| X183                        | Guide Lock Nut.     |
| X184                        | Stem Guide.         |
| X187                        | Stem.               |
| 109                         | Gasket.             |

## 103 (V160) Air Vacuum Valve

- |      |  |
|------|--|
| R132 | Lock Washer $\frac{1}{4}$ ".             |
| V111 | Fulcrum Pin.                             |
| V155 | Gasket.                                  |
| V156 | $\frac{1}{2}$ " x $\frac{3}{4}$ " Screw. |
| V162 | Body and Bushing.                        |
| V163 | Fulcrum.                                 |
| V164 | Stem and Disc Assembly.                  |
| V166 | Valve Seat Coupling.                     |
| V170 | $\frac{1}{2}$ " x $\frac{3}{4}$ " Screw. |
| V172 | Washer.                                  |
| V173 | Spring.                                  |
| V175 | 10-24 x $\frac{1}{2}$ " Screw.           |
| V176 | 10-24 Sq. Steel Nut.                     |



*All replacement steam press parts warranted for one year by Seickel & Sons Inc.*

Seickel & Sons Inc. is not affiliated with Hoffman/New Yorker Inc. and does not rely on Hoffman/New Yorker Inc. for its replacement parts.

## **SEICKEL & SONS INC.**

*MANUFACTURERS & REBUILDERS OF STEAM PRESSING EQUIPMENT*

360 ELIZABETH AVE., NEWARK, NJ 07112 TEL.973-242-1948 FAX 973-733-4956  
 315 WEST 36<sup>TH</sup> ST., SUITE 504, NY, NY 10018 TEL.212-290-2120 FAX 212-290-2140  
 TOLL FREE IN U.S. 1-800-338-5044

WEB [WWW.SEICKEL.COM](http://WWW.SEICKEL.COM)

[SALES@SEICKEL.COM](mailto:SALES@SEICKEL.COM)