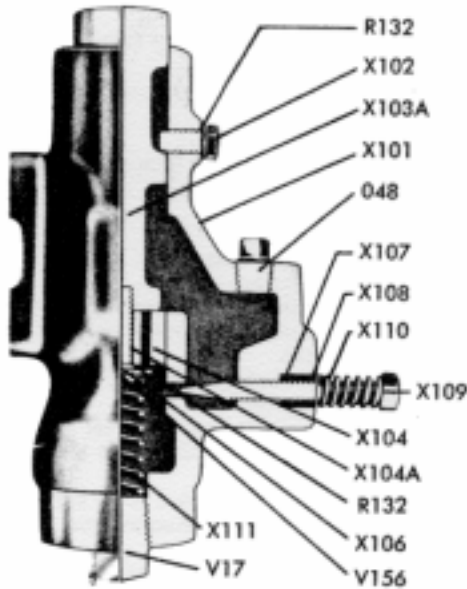


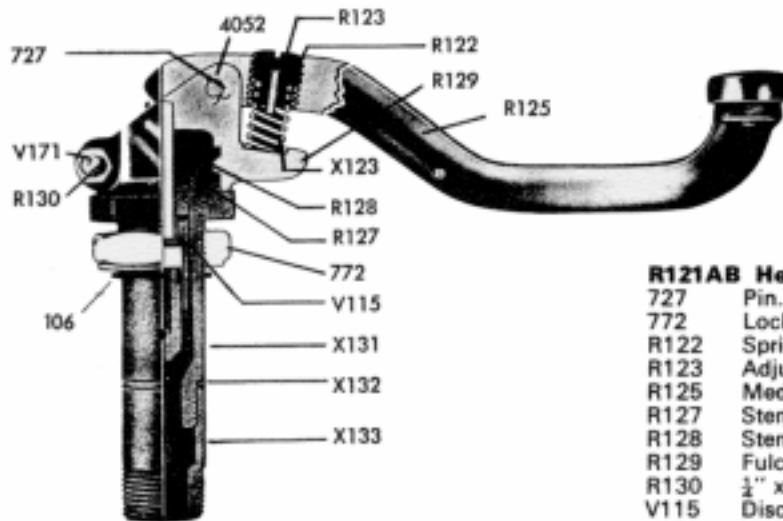
# Quality United Brass Replacement Parts

## 36 (X100) Shock Absorber



<b>X100 Oil Check</b>	
048	1/4" Pipe Plug
R132	Lock washer 1/2"
V17	1/2" Pipe Plug.
X101	Body.
X102	Cap Screw.
X103A	Plunger.
X104	Piston.
X104A	Spacer.
X106	Pronged Washer.
V156	Screw.
X107	Packing.
X108	Washer.
X109	Adjusting Screw.
X110	Spring.
X111	Inside Spring.

## 105 (R1212AB) Head Valve



<b>R121AB Head Valve</b>	
727	Pin.
772	Lock Nut.
R122	Spring Plug.
R123	Adjusting Screw.
R125	Medium Handle.
R127	Stem.
R128	Stem Guide.
R129	Fulcrum.
R130	1/2" x 1 1/2" Cap Screw.
V115	Disc Holder.
V171	1/4" 20 Hex Nut.
X123	Spring.
X131	Body
X132	Metal Gasket.
X133	Bushing.
4052	Cotter Pin.
106	Gasket.

*All replacement steam press parts warranted for one year by Seickel & Sons Inc.*

Seickel & Sons Inc. is not affiliated with Hoffman/New Yorker Inc. and does not rely on Hoffman/New Yorker Inc. for its replacement parts.

# SEICKEL & SONS INC.

MANUFACTURERS & REBUILDERS OF STEAM PRESSING EQUIPMENT

360 ELIZABETH AVE., NEWARK, NJ 07112 TEL. 973-242-1948 FAX 973-733-4956  
315 WEST 36<sup>TH</sup> ST., SUITE 504, NY, NY 10018 TEL. 212-290-2120 FAX 212-290-2140  
TOLL FREE IN U.S. 1-800-338-5044

WEB [WWW.SEICKEL.COM](http://WWW.SEICKEL.COM)

[SALES@SEICKEL.COM](mailto:SALES@SEICKEL.COM)