

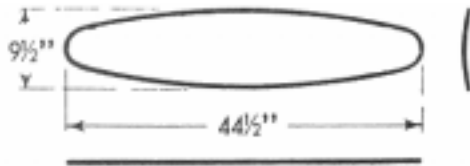
Refurbished **A-E-44** Edge Press

The **TIME-O-MATIC** includes such optional automatic features as:

Automatic Top Steam

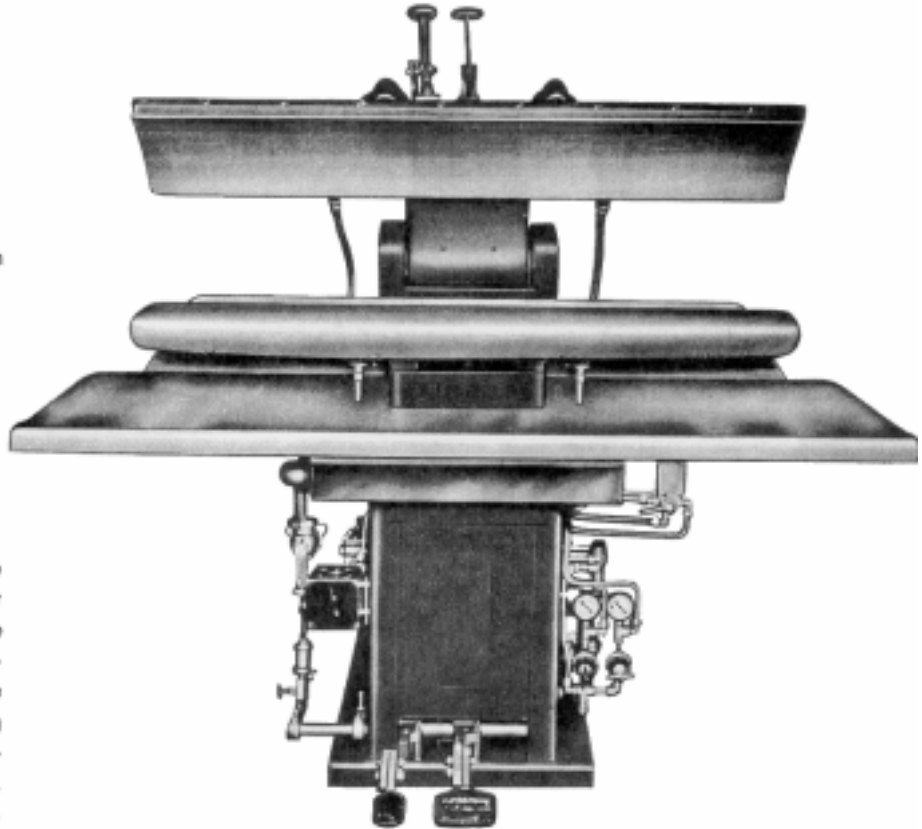
- " advanced vacuum while head is locked
- " Electric Timed release
- " Vacuum after head is opened

All the above features are variable to suit the requirements of different fabric finishing. Thickness of the coat edge can be automatically regulated to give every edge the same amount of steam, pressure, pressing and drying time. This assures absolute uniformity, highest quality, greater production and efficiency.

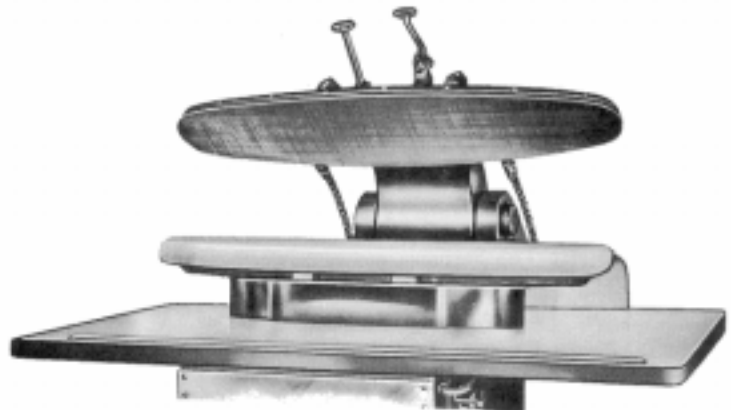


MODEL E-44: The length of this buck is 44" with a curved front edge and a curved back edge. The buck is oval from front to back and two coats can be pressed at the same time. Two to three presses are usually operated in tandem by one operator.

Floor Space: 45" x 56" Crated Weight: 1370 lbs.



MODEL "AE" EDGE PRESS



*All refurbished steam presses warranted for one year by **Seickel & Sons Inc.***

Seickel & Sons Inc. is not affiliated with **Hoffman/New Yorker Inc.** and does not rely on **Hoffman/New Yorker Inc.** for the parts used in refurbishing steam presses.

SEICKEL & SONS INC.

MANUFACTURERS & REBUILDERS OF STEAM PRESSING EQUIPMENT

360 ELIZABETH AVE., NEWARK, NJ 07112 TEL. 973-242-1948 FAX 973-733-4956
315 WEST 36TH ST., SUITE 504, NY, NY 10018 TEL. 212-290-2120 FAX 212-290-2140

TOLL FREE IN U.S. 1-800-338-5044

WEB WWW.SEICKEL.COM

SALES@SEICKEL.COM