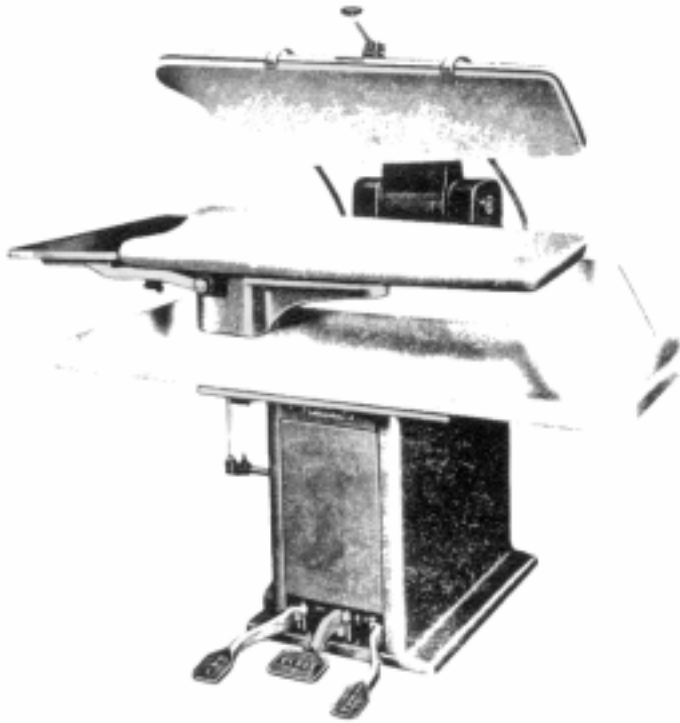
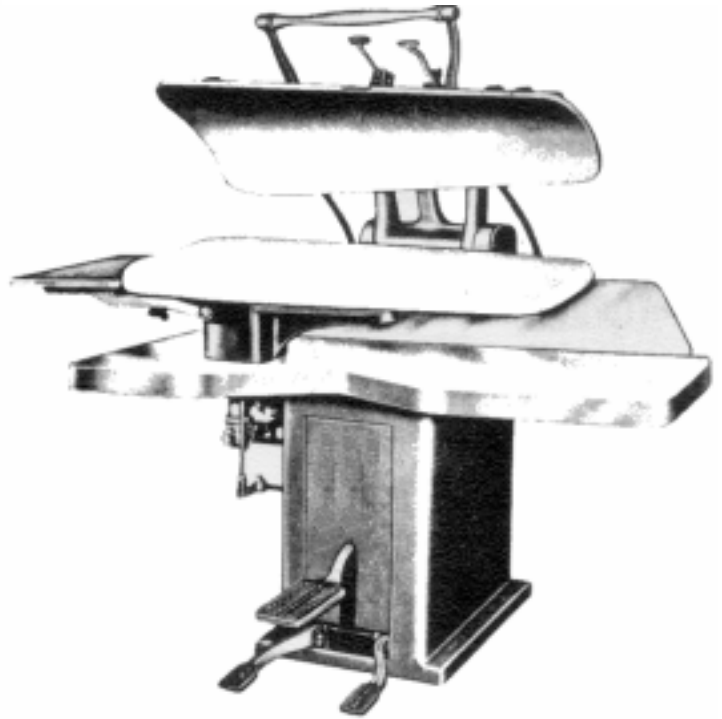


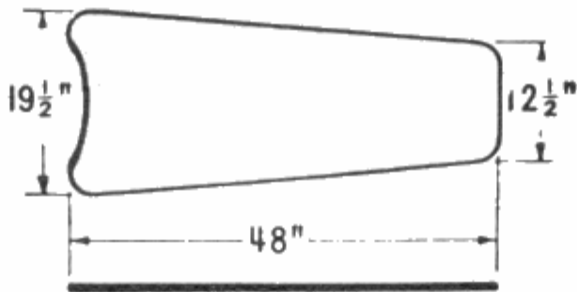
Refurbished Trouser Legger Presses **L-4**



Air operated Legger



Foot operated Legger



The L4 flat buck legger is designed for shaping, shrinking and pressing men's trouser legs. The crotch cut out is deep enough to suit the pressing of any size trouser.

*All refurbished steam presses warranted for one year by **Seickel & Sons Inc.***

Seickel & Sons Inc. is not affiliated with **Hoffman/New Yorker Inc.** and does not rely on **Hoffman/New Yorker Inc.** for the parts used in refurbishing steam presses.

SEICKEL & SONS INC.

MANUFACTURERS & REBUILDERS OF STEAM PRESSING EQUIPMENT

360 ELIZABETH AVE., NEWARK, NJ 07112 TEL. 973-242-1948 FAX 973-733-4956
315 WEST 36TH ST., SUITE 504, NY, NY 10018 TEL. 212-290-2120 FAX 212-290-2140
TOLL FREE IN U.S. 1-800-338-5044

WEB WWW.SEICKEL.COM

SALES@SEICKEL.COM